

## Horizontal latch type toggle clamps

Steel / Stainless Steel, for pulling action

### SPECIFICATION

#### Types

- Type **T2**: with U-bolt latch, with catch
- Type **T**: without U-bolt latch, with catch

#### Version in Steel

Case-hardened Steel C10  
zinc plated, blue passivated

U-bolt latch  
Steel St 37  
zinc plated, blue passivated

All moving parts  
lubricated with special grease

Handle with plastic sleeve  
red, oil resistant

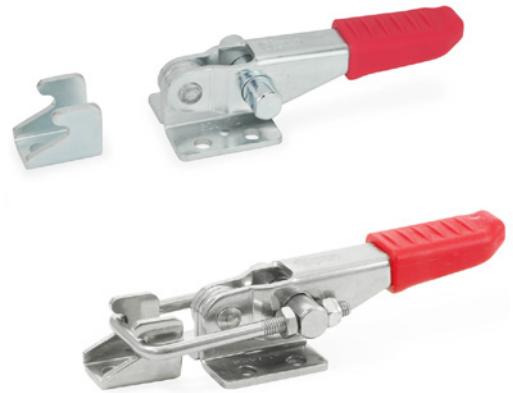
#### Version in Stainless Steel NI

Parts in sheet metal / U-bolt latch  
Stainless Steel AISI 304

Pin  
Stainless Steel AISI 303

All moving parts  
lubricated with special grease

Handle with plastic sleeve  
red, oil resistant



### INFORMATION

The stroke of the U-bolt latch of GN 851 latch type toggle clamps can be adjusted within its range.

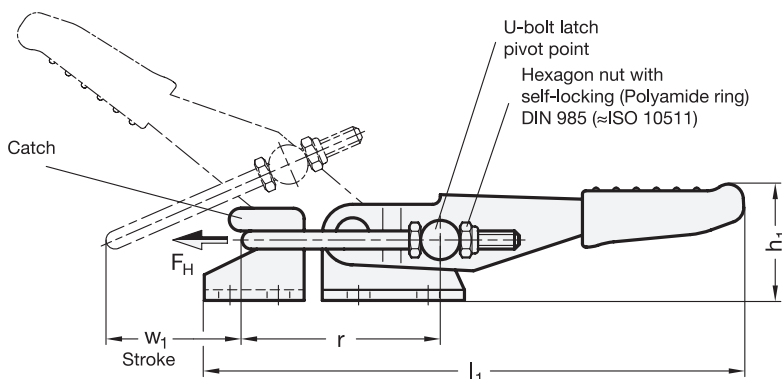
In the clamped position the U-bolt latch with clamping arm is parallel to the plane of the operating handle.

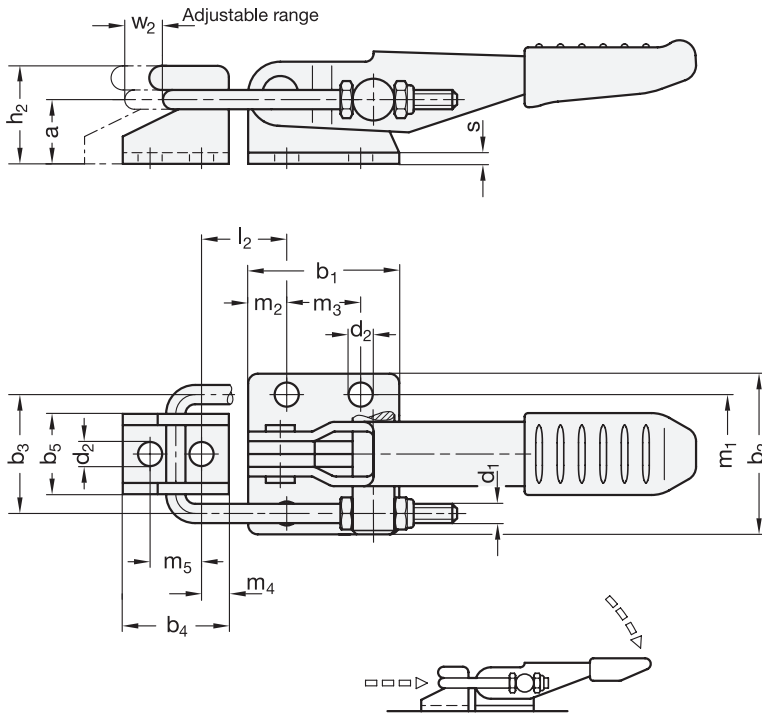
In addition to the standard lengths of the U-bolt latches shown in the table, a variety of other lengths are also available under the GN 951.1 series (see page 1604).

- General information for toggle clamps (see page 1560)

### TECHNICAL INFORMATION

- Stainless Steel characteristics (see page A26)





GN 851

Description	Size	FH in N	a	b1	b2	b3	b4	b5	d1	d2	h1 ≈	h2	l1 ≈	l2 min.	m1	m2	m3	m4	m5	r ≈	s	w1	w2 ≈	⚖
GN 851-160-T	160	1600	-	26	28	-	20	14	-	4.3	26	18	-	-	19	5	16	5	10	-	2	-	-	72
GN 851-320-T	320	3200	-	40	44	-	28	22	-	6.5	30	25	-	-	32	10.5	19	7	14.3	-	3	-	-	225
GN 851-700-T	700	7000	-	60	54	-	38	26	-	8.5	42	36	-	-	38	9.5	41.5	9.5	19	-	3.5	-	-	534
GN 851-160-T2	160	1600	12	26	28	21	20	14	M 4	4.3	26	18	98	11	19	5	16	5	10	35	2	25	11	80
GN 851-320-T2	320	3200	16	40	44	32	28	22	M 6	6.5	30	25	152	19	32	10.5	19	7	14.3	54	3	48	13	260
GN 851-700-T2	700	7000	24	60	54	38	38	26	M 8	8.5	42	36	220	21	38	9.5	41.5	9.5	19	70	3.5	58	26	620

GN 851-NI

STAINLESS STEEL

Description	Size	FH in N	a	b1	b2	b3	b4	b5	d1	d2	h1 ≈	h2	l1 ≈	l2 min.	m1	m2	m3	m4	m5	r ≈	s	w1	w2 ≈	⚖
GN 851-160-T-NI	160	1600	-	26	28	-	20	14	-	4.3	26	18	-	-	19	5	16	5	10	-	2	-	-	71
GN 851-320-T-NI	320	3200	-	40	44	-	28	22	-	6.5	30	25	-	-	32	10.5	19	7	14.3	-	3	-	-	223
GN 851-700-T-NI	700	7000	-	60	54	-	38	26	-	8.5	42	37	-	-	38	9.5	41.5	9.5	19	-	3.5	-	-	515
GN 851-160-T2-NI	160	1600	12	26	28	21	20	14	M 4	4.3	26	18	98	11	19	5	16	5	10	35	2	25	11	85
GN 851-320-T2-NI	320	3200	16	40	44	32	28	22	M 6	6.5	30	25	152	19	32	10.5	19	7	14.3	54	3	48	13	260
GN 851-700-T2-NI	700	7000	24	60	54	38	38	26	M 8	8.5	42	37	220	21	38	9.5	41.5	9.5	19	70	3.5	58	26	600

